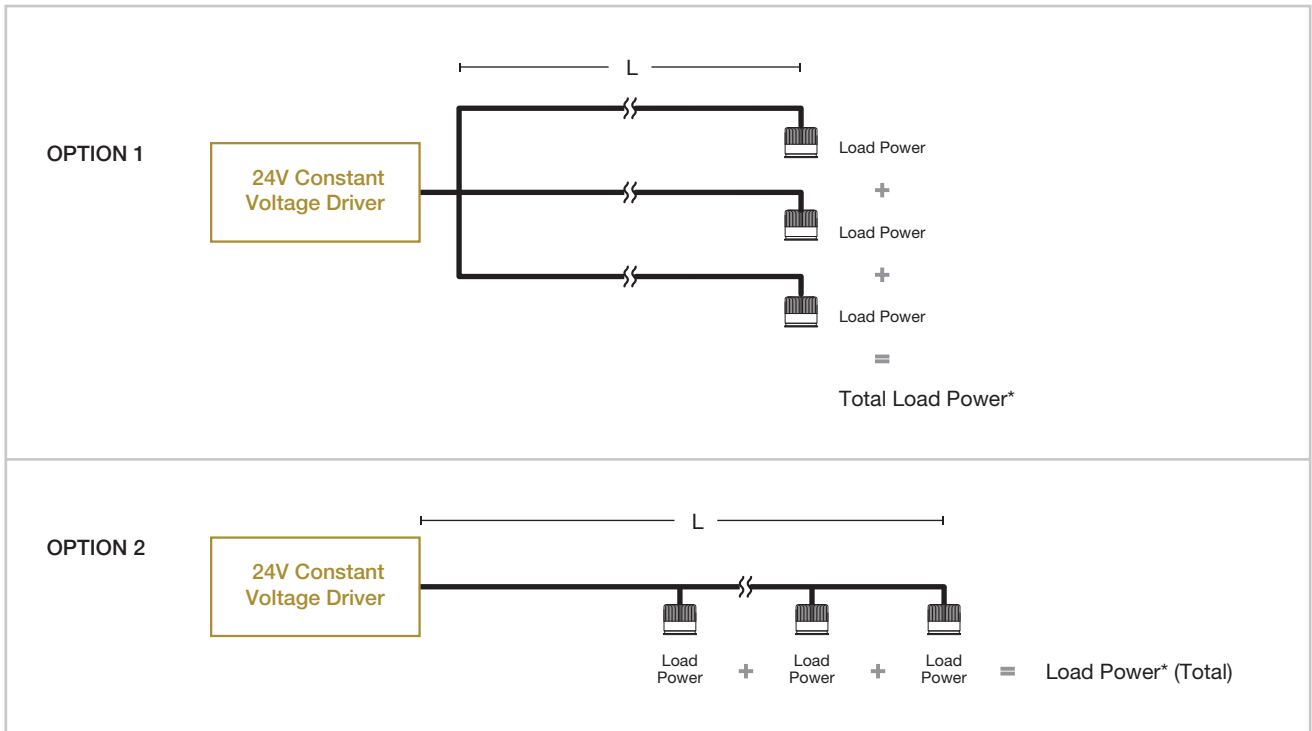
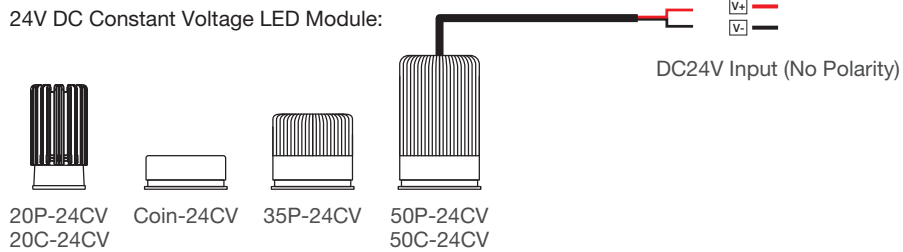


CLASSIC / PRO LED MODULE (Single CCT - Constant Voltage - 24CV)



*The Total Load Power must not exceed 80% of the 24V Constant Voltage Driver's output capacity.

Load Power (W)	L- Recommended Max. Cable Length From Driver to 24CV LED Module (m)					
	Cable Size					
	AWG 24	AWG 22	AWG 20	AWG 18	AWG 16	AWG 14
300	-	1	1.5	2.5	3.5	5.5
200	1	1.4	2.2	3.5	5.5	8.5
150	1.1	1.8	3	4.5	7.5	12
100	1.7	2.7	4.4	7	11	17
50	3.5	5.5	8.8	14	22	34
20	8.5	14	22	35	55	86
10	17	27	43	70	110	170